

## SHENZHEN Wrangler Limited

5G, 5th Floor Water Building, No.1019 Shennan Zhong Road,  
Futian District, Shenzhen City, Guangdong Province, P.R.China

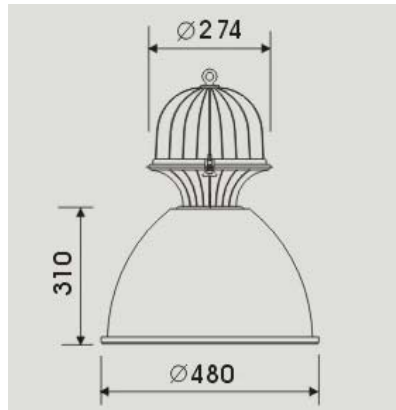
Tel : +86-755-82137832 ; 82137825 Fax:+86-755-82139975 contact: Ms.Can

E-mail: info@wranglerltd.com MSN: mutluforeign@hotmail.com

Website: <http://www.wranglerltd.com> Skype: wrangler001

### LED WAREHOUSE LIGHT

Item Picture



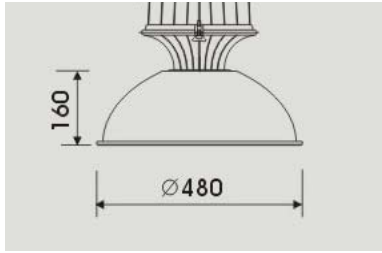
Item No.	Item Power	Led Beads Qty	beam angle	IP	Packing Size	G.W.:
----------	------------	---------------	------------	----	--------------	-------

WRI-7001-LED	72W	1260pcs led leds	130°	IP65	51*51*63cm/1pc	13kgs
	100W	1386pcs led leds	130°	IP65	51*51*63cm/1pc	13kgs
	120W	84pcs led modules	170°	IP65	51*51*63cm/1pc	13kgs

Reflector material: Aluminium alloy

New mould

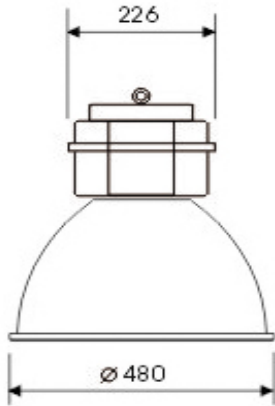
WRI-7003-LED	72W	1260pcs led leds	130°	IP65	51*51*48cm/1pc	13kgs
	100W	1386pcs led leds	130°	IP65	51*51*48cm/1pc	13kgs



--	--	--	--	--	--	--

Reflector material: Aluminium die-casting

New mould advantage: 1. small size body, can save much transportation /express fee.  
 2. aluminium die-casting good for transportation condition ,much strong



WRI-7002-LED	72W	1260pcs led leds	130°	IP44	52*52*54.5cm/1pc	7.5kgs
	100W	1386pcs led leds	130°	IP44	52*52*54.5cm/1pc	7.5kgs
	120W	84pcs led modules	170°	IP44	52*52*54.5cm/1pc	7.5kgs

Reflector material: Aluminium alloy

Mark: All the above items, The luminous flux based on 75 lumen/watt.  
 Voltage: 90V/AC-260V/AC , 50HZ/60HZ  
 Color temperature: 5000K-6000K  
 Color rendering property: 80  
 working temperature: -40°C~+ 60 °C